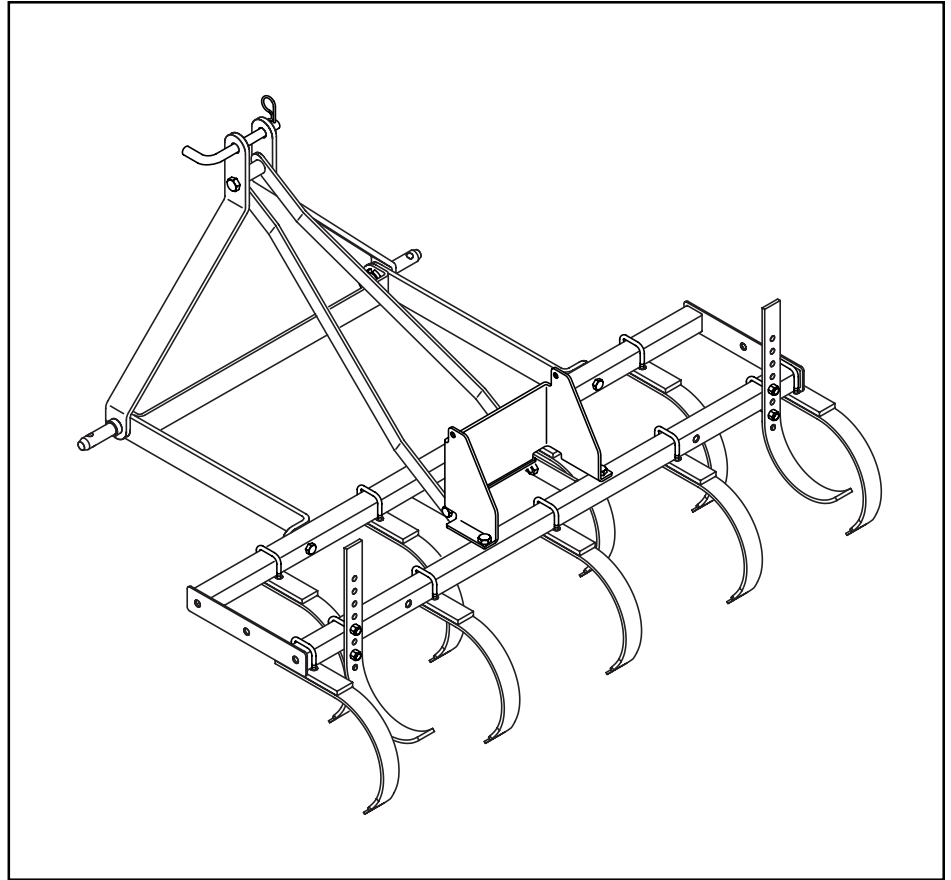


**Agri-Fab®**

**OWNERS  
MANUAL**

**Model No.**

**45-0355-131**



## **3 PT. HITCH TANG CULTIVATOR**

**CAUTION:**  
Read Rules for  
Safe Operation  
and Instructions  
Carefully

- Safety
- Assembly
- Operation
- Maintenance
- Parts

**SpeedEPart** *the fastest way to purchase parts* [www.speedepart.com](http://www.speedepart.com)

## SAFETY RULES

Remember, any power equipment can cause injury if operated improperly or if the user does not understand how to operate the equipment. Exercise caution at all times when using power equipment.



**LOOK FOR THIS SYMBOL TO POINT OUT IMPORTANT SAFETY PRECAUTIONS. IT MEANS – ATTENTION! BECOME ALERT! YOUR SAFETY IS INVOLVED.**

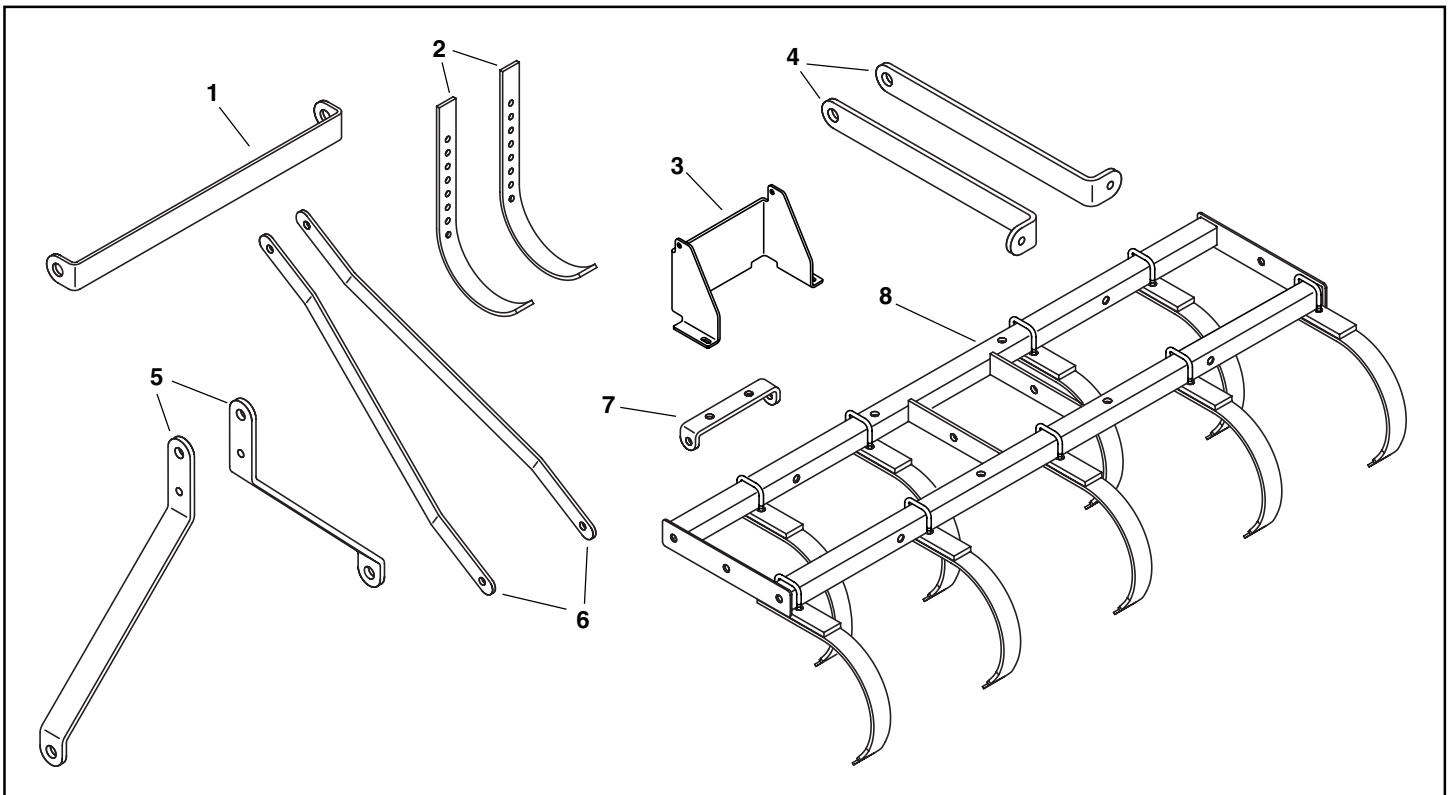


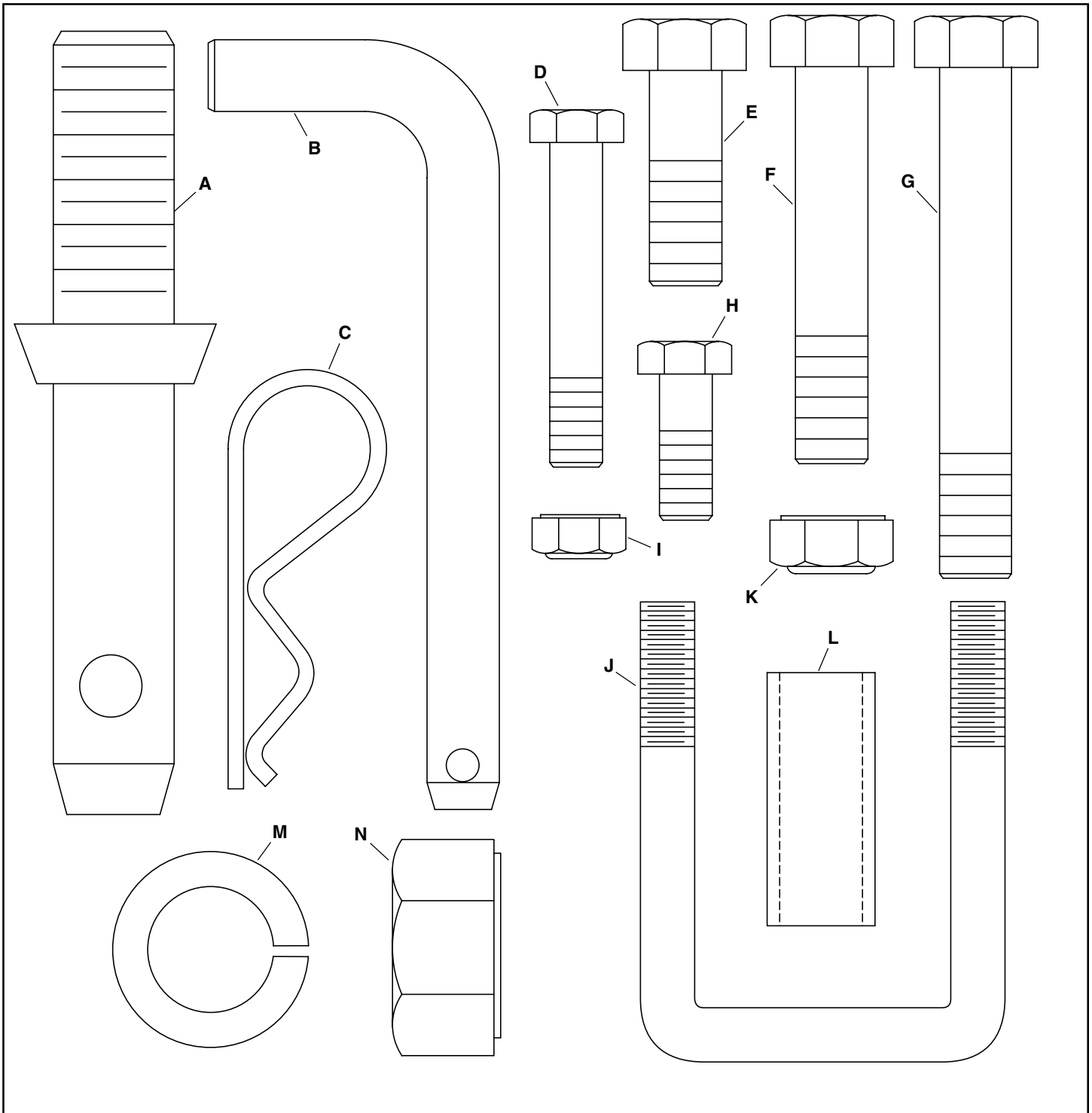
**CAUTION: VEHICLE BRAKING AND STABILITY MAY BE AFFECTED BY THE ADDITION OF AN ACCESSORY OR AN ATTACHMENT. BE AWARE OF CHANGING CONDITIONS ON SLOPES.**

1. Read this owner's manual before using this equipment.
2. Do not allow children to operate the tow vehicle or the tine cultivator.
3. Do not allow adults to operate the tow vehicle or the tine cultivator without proper instruction.
4. Do not allow anyone to ride on the tow vehicle or the tine cultivator.
5. Before lowering the tine cultivator, make sure no one is near the area of operation.
6. Lower the tine cultivator when leaving the tow vehicle unattended.
7. Wear appropriate footwear when using the tine cultivator. The tip of each tang on the cultivator is pointed and sharp!
8. Tow vehicle braking and stability may be affected by the tine cultivator. Drive slowly with the tine cultivator in the transport position. **Stay off steep slopes.**
9. Stop and inspect the equipment for damage after striking an object. Repair any damage before continuing operation.
10. Keep all nuts and bolts tight and be sure that the equipment is in safe operating condition.
11. Before attaching or removing the tine cultivator, park and lock the tow vehicle in a safe condition.

### CARTON CONTENTS

- |                             |                            |
|-----------------------------|----------------------------|
| 1. Cross Brace              | 6. Mast Lift Strap (2)     |
| 2. Depth Gauge Bar (2)      | 7. Support Bracket         |
| 3. Weight Bracket           | 8. Cultivator Assembly     |
| 4. Mast Extension Strap (2) | Parts Package (see page 3) |
| 5. Mast Side (2)            |                            |





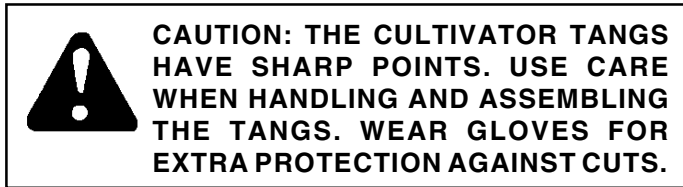
**PARTS PACKAGE CONTENTS – PARTS SHOWN ACTUAL SIZE**

KEY	QTY.	DESCRIPTION	KEY	QTY.	DESCRIPTION
A	2	Category 1 Pin	H	2	Hex Bolt, 3/8" x 1" Lg.
B	1	Pivot Pin	I	8	Hex Nut, Nylock, 3/8"
C	1	Haircutter Pin, 1/8"	J	2	U-Bolt, 3/8"
D	2	Hex Bolt, 3/8" x 2-1/4" Lg.	K	5	Hex Nut, Nylock, 1/2"
E	2	Hex Bolt, 1/2" x 1-1/2" Lg.	L	1	Spacer
F	2	Hex Bolt, 1/2" x 2-3/4" Lg.	M	2	Lock Washer, 7/8"
G	1	Hex Bolt, 1/2" x 3-1/2" Lg.	N	2	Hex Nut, 7/8"

## ASSEMBLY

### TOOLS REQUIRED FOR ASSEMBLY

- (2) 3/4" Wrenches
- (2) 9/16" Wrenches
- (2) 1-1/8" Wrenches or Adjustable Wrenches
- (1) 1-5/16" Wrench or 12" Adjustable Wrench



Remove all loose parts and the hardware package from the shipping carton. Lay out and identify each part and the hardware as shown on pages 2 and 3. Be sure the carton is empty before it is discarded.

1. Attach two depth gauge bars to the frame using a 3/8" U-bolt and two 3/8" Nylock hex nuts for each bar. Put each depth gauge bar next to each outside tang on the rear of the frame as shown in figure 1. Use the holes in each bar that will give the desired working depth, if known at this time. Use matching holes in both depth gauge bars to keep the cultivator level.

**NOTE:** For effective depth control a depth gauge bar must not be located directly behind a front tang.

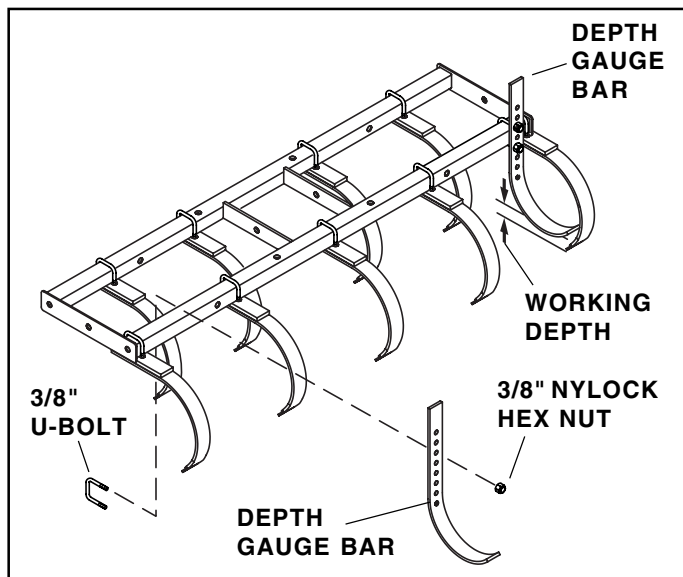


FIGURE 1

2. Attach two mast extension straps to the front of the frame using two 1/2" x 2-3/4" hex bolts and two 1/2" Nylock hex nuts. Point the bent end of each strap toward the outside of the frame. **Do not tighten yet.** See figure 2.

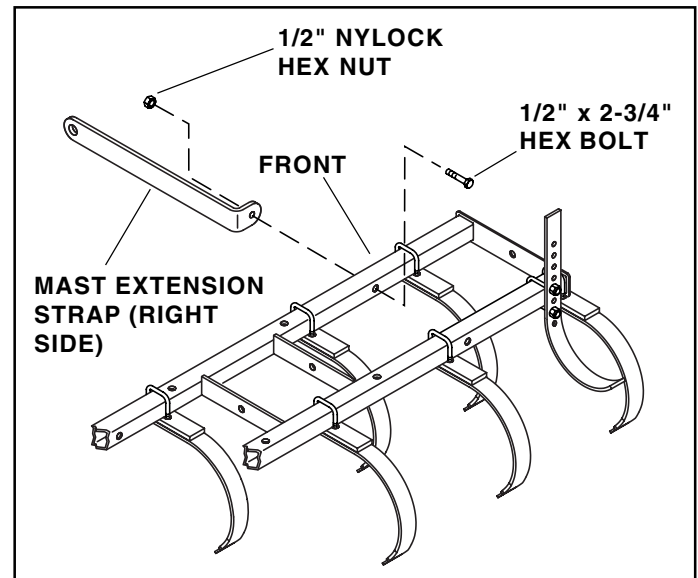


FIGURE 2

3. Attach the cross brace and the two mast sides to the ends of the mast extension straps. The cross brace is between the extension straps while the mast sides are on the outside. The cross brace and mast sides are connected to the extension straps using two category 1 pins, two 7/8" lock washers, and two 7/8" hex nuts. **Do not tighten yet.** See figure 3.

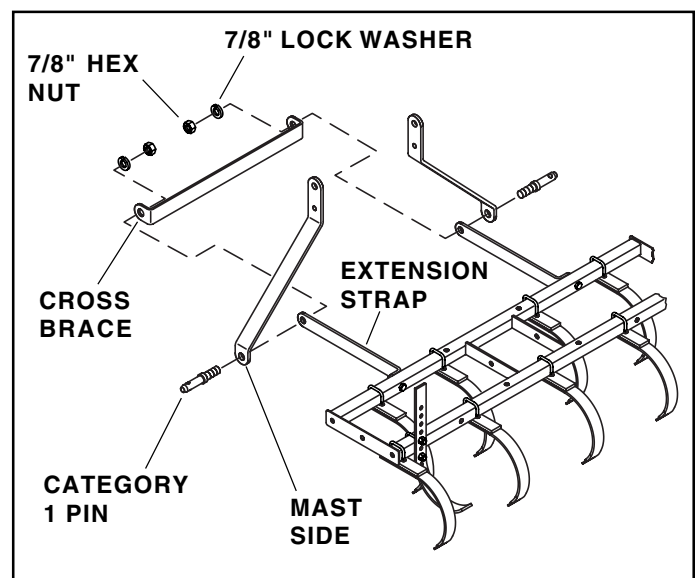


FIGURE 3

4. Arrange the mast lift straps as shown in figure 4. Place the straps and the spacer between the mast sides, fastening them to the lower hole in the mast sides using a 1/2" x 3-1/2" hex bolt and 1/2" Nylock hex nut. **Do not tighten yet.**

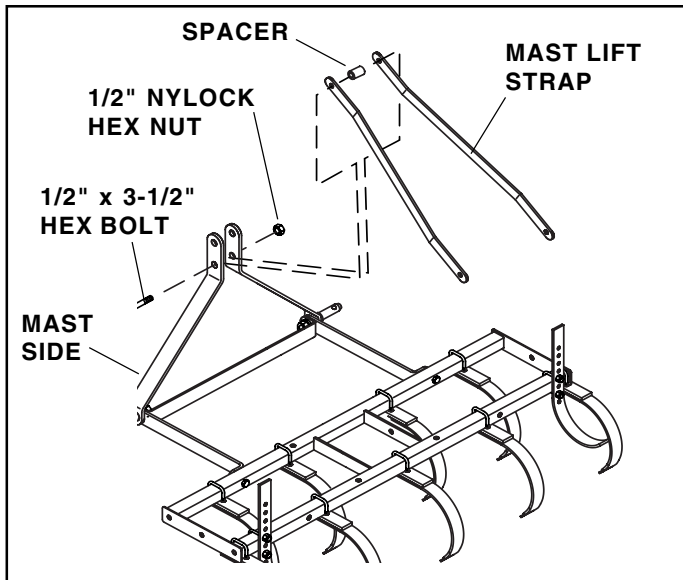


FIGURE 4

6. Attach the lower end of each mast lift strap to the outside of the welded frame braces and attach the support bracket to the inside of the frame braces. Use two 1/2" x 1-1/2" hex bolts and two 1/2" Nylock hex nuts. **Do not tighten yet.** See figure 6.

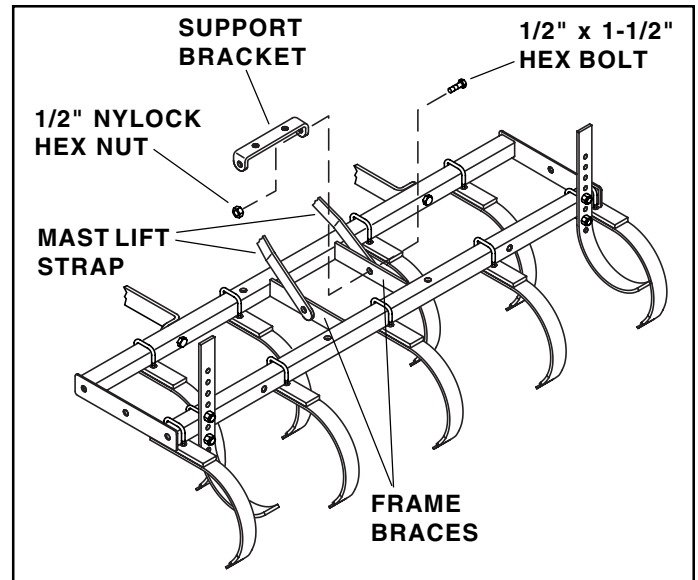


FIGURE 6

5. Install the pivot pin through the upper hole at the end of the mast sides. Secure the pivot pin with a 1/8" hair cotter pin. See figure 5.

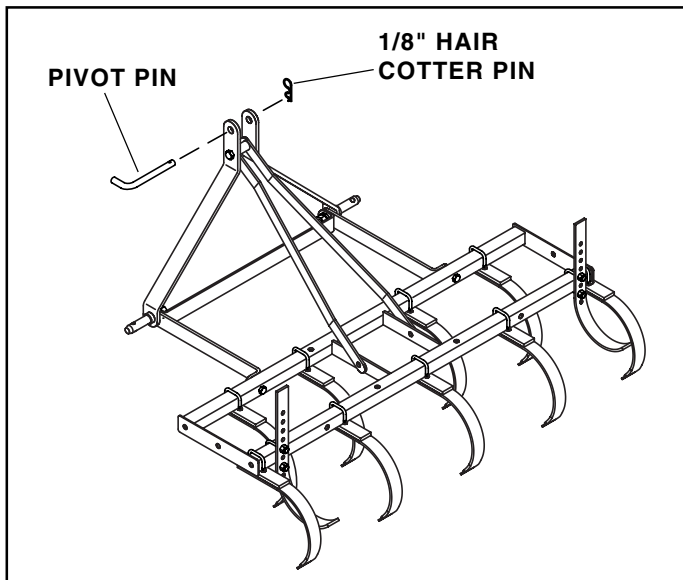


FIGURE 5

7. Attach the front of the weight bracket to the support bracket using two 3/8" x 1" hex bolts and two 3/8" Nylock hex nuts. Attach the sides of the weight bracket to the rear of the frame using two 3/8" x 2-1/4" hex bolts and two 3/8" Nylock hex nuts. See figure 7.

8. **Tighten** all loose bolts and nuts at this time.

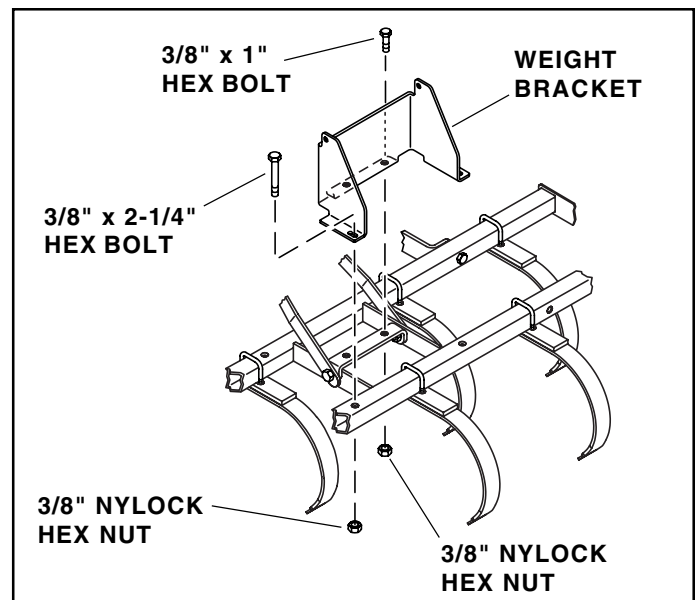


FIGURE 7

## OPERATION



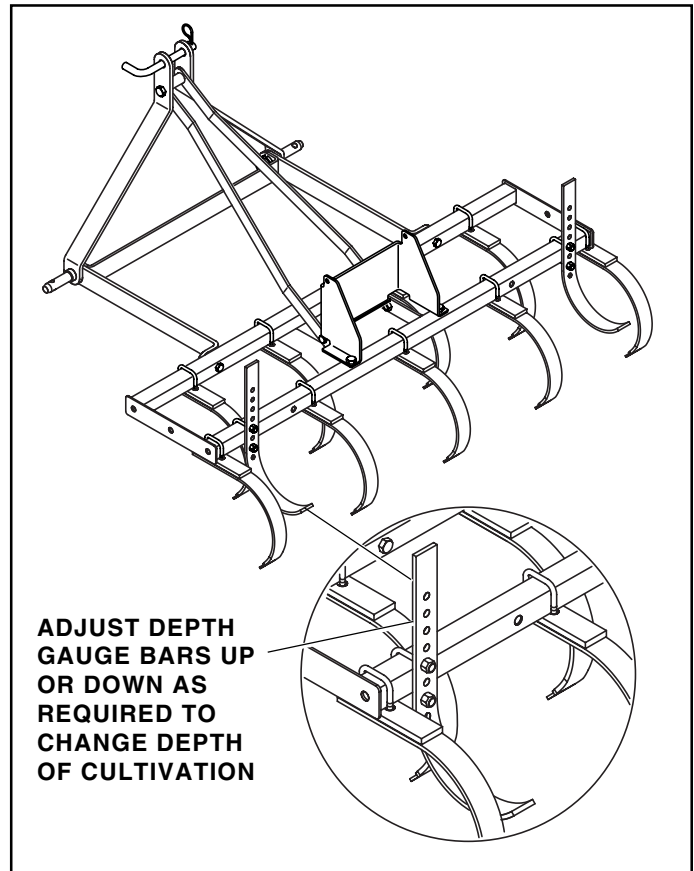
**CAUTION: USE CARE WHEN WORKING AROUND A RAISED CULTIVATOR. KEEP YOUR FEET AND HANDS FROM UNDER THE TANGS AT ALL TIMES. SERIOUS INJURY CAN RESULT SHOULD THE CULTIVATOR DROP UNEXPECTEDLY.**

The tine cultivator is used to loosen soil and other types of landscape material.

1. Before starting, make sure the material to be cultivated, such as dirt, is dry enough by squeezing some in your hand. If it forms a ball that doesn't crumble, the material may be too wet to cultivate.
2. The cultivator can be set for various depths of cultivation. To change the cultivation depth, raise or lower the two depth gauge bars located on the back of the frame assembly as shown in figure 8.

To adjust the depth gauge bars, remove the nuts from the U-bolt securing each bar to the frame. Then reposition the U-bolt in another set of holes for the desired depth of cultivation. The bars can be adjusted up or down in 1" increments. Be sure to use the same matching pairs of holes in each depth gauge bar to ensure the cultivator is level.

3. Up to 160 lbs. of weight may be added to help increase penetration. 40 lb. suitcase weights can be attached to the center weight bracket, or concrete blocks or other weights may be tied or strapped to the cultivator frame. Before adding weight, the cultivator should be attached to the tow vehicle and lowered to the ground.

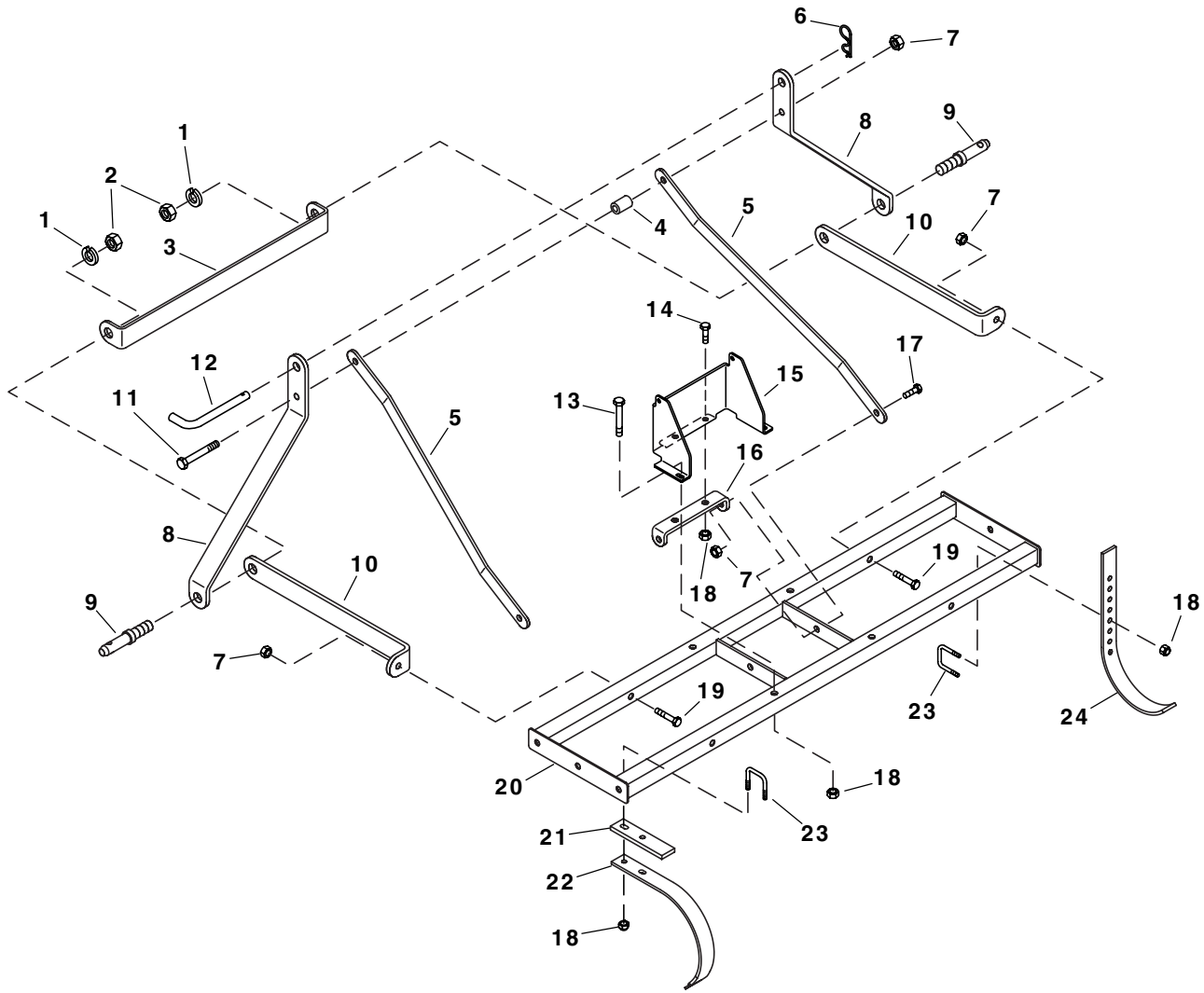


**FIGURE 8**

## MAINTENANCE

1. Check for and tighten any loose hardware before each use.
2. Clean the cultivator and lightly oil only bare metal after each use.
3. Remove all dirt and rust. Touch up paint before placing cultivator in storage.
4. Store cultivator inside a dry area.

## REPAIR PARTS FOR MODEL NO. 45-0355-131 3 PT. HITCH TANG CULTIVATOR



REF. NO.	PART NO.	QTY.	DESCRIPTION	REF. NO.	PART NO.	QTY.	DESCRIPTION
1	48982	2	Lock Washer, 7/8"	13	HA180132	2	Hex Bolt, 3/8" x 2-1/4" Lg.
2	48970	2	Hex Nut, 7/8"	14	43001	2	Hex Bolt, 3/8" x 1" Lg.
3	25154	1	Cross Brace	15	25191	1	Weight Bracket
4	25167	1	Spacer, Mast Lift Strap	16	25192	1	Support Bracket
5	25180	2	Mast Lift Strap	17	43020	2	Hex Bolt, 1/2" x 1-1/2" Lg.
6	43343	1	Haircotter Pin, 1/8" x 2-3/8"	18	HA21362	26	Hex Nut, Nylock, 3/8"
7	712-3083	5	Hex Nut, Nylock, 1/2"	19	43510	2	Hex Bolt, 1/2" x 2-3/4" Lg.
8	25158	2	Mast Side	20	64772	1	Cultivator Frame Assembly
9	48979	2	Category 1 Pin	21	25170	9	Tang Support Strap
10	25169	2	Mast Extension Strap	22	43022	9	Cultivator Tang
11	46526	1	Hex Bolt, 1/2" x 3-1/2" Lg.	23	46853	11	U-Bolt, 3/8"
12	48978	1	Pivot Pin, 3-3/4" Lg.	24	24238	2	Depth Gauge Bar
					49358	1	Owners Manual

For Agri Fab Discount Parts Call 606-678-9623 or 606-561-4983

***SpeedEPart*** *the fastest way to purchase parts* [www.speedepart.com](http://www.speedepart.com)

**REPAIR PARTS**  
Agri-Fab, Inc.  
303 West Raymond  
Sullivan, IL. 61951  
217-728-8388  
[www.agri-fab.com](http://www.agri-fab.com)

[www.mymowerparts.com](http://www.mymowerparts.com)